

TDS1030E PCAP

Industrial touch all-in-one



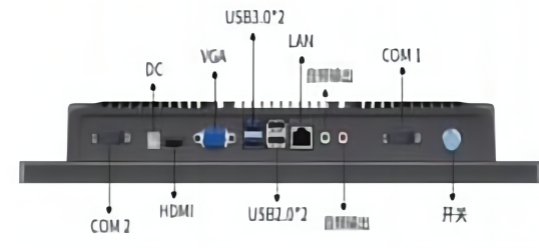
Features:

- + Flat front bezel, Aluminum material Shell
- + Fanless design, IP54 dustproof and waterproof
- + Industrial grade LCD screen, LED backlight
- + Resolution 1280X800@60Hz
- + 10-touch projection capacitive touchscreen
- + Low power industrial grade motherboard
- + Intel Celeron® J1900 high-performance processor
 - Option: Intel 9th generation J4215 processor
- + DC anti-falling phoenix connection terminal, stable and reliable
- + Various connection modes: wired network, Wireless Wi-Fi, Bluetooth
- + Supports wall-mounting, column mounting, floor-standing bracket
- + Support OS: windows 10/11/Linux/Ubuntu
- + 2-year warranty

2*Gigabit Ethernet Adapter



9-24V Wide Range Input



Optional:

- No touchscreen
- AG coating
- Android motherboard
- Card reader
- Interface customized
- Brightness customized



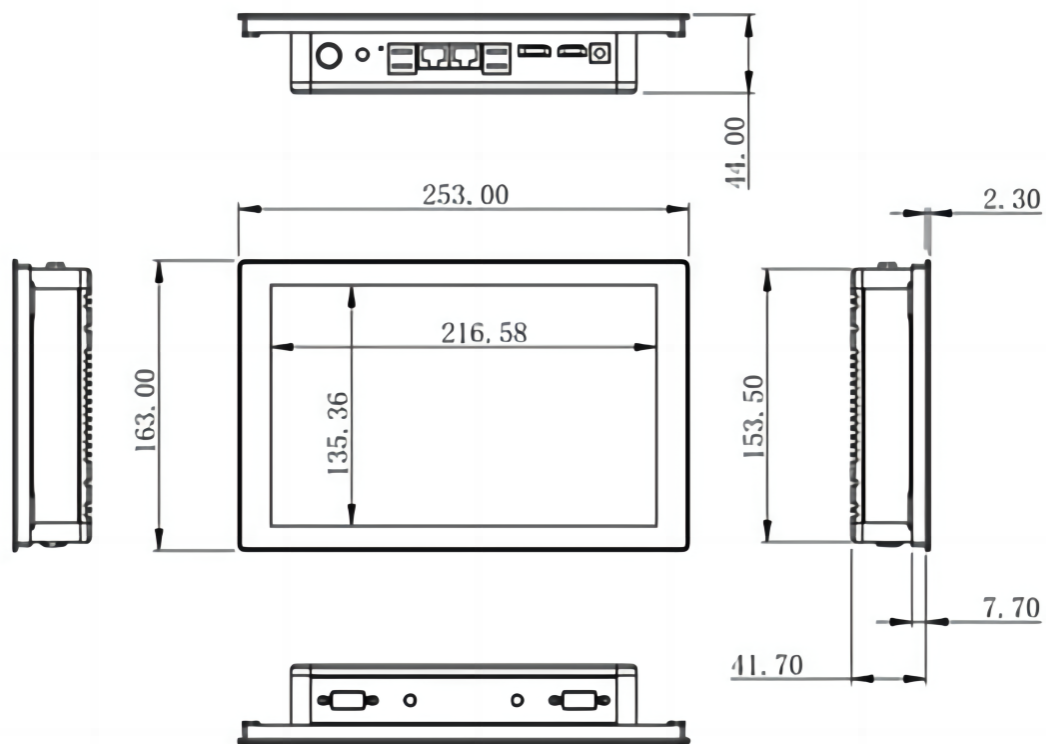
Available models and sizes

Model	Size	Ratio	Resolution	CPU
1030E	10.1	16:10	1280X800	J1900/J4215
1330E	13.3	16:9	1920X1080	J6412/I5-10210U
1530E	15.6	16:9	1920X1080	J6412/I5-10210U
2130E	21.5	16:9	1920X1080	J6412/I5-10210U

TDS1030E Industrial touch all-in-one Specification

Model	1030E	
Color	Dark gray/silver	
Diagonal	10.1”	
Aspect Ratio	16:10	
Active Area	216.38X135.36(mm)	
Dimensions	253X163X44(mm)	
Native Resolution	1280X800@60Hz	
Number of Colors	16.7M , 50% NTSC	
Viewing Angle	Horizontal:85°/85°;Vertical:85°/85°	
Aspect Ratio	900:1 (Typ.)	
Brightness	LED: 300nits, Touch:275nits	
LED Response	30ms	
Touch technology	Projected capacitive touch screen -10 points	
Glass thickness	1.1mm,tempered anti-riot treatment	
Touch mode	Fingers/silicone gloves/capacitive stylus	
Touch the accuracy	≥2mm	
Touch Interface	USB2.0	
Processor	Intel® Celeron®J1900 (2MB Cache, up to 2.42 GHz)	Intel Celeron®J4215 (4MB Cache, up to 2.7GHz)
BIOS	AMI	
Graphics	Intel®HD Graphics	Intel®UHD Graphics600
Memory	DDR3L-4GB	DDR4L-8GB
Storage	SSD 64GB	SSD 128GB
LAN	2*Gigabit LAN(intel i22 AT)	2*2.5G LAN(intel i225/i226)
Wireless	802.11 a/b/g/n/ac 2.4GHz/5GHz	802.11 a/b/g/n/ac/ax 5GHz/6GHz
Bluetooth	Bluetooth 4.1	Bluetooth 5.2
Input voltage	AC: 100-240 VAC , 50-60 Hz	
I/O Interface	2*USB2.0,2*USB3.0,2*COM, 2*RJ45 LAN Port,1*HDMI,1*VGA 1* Audio Port (3.5 mm headset jack), 1* 12V DC , 1*Power ON/OFF	
Watchdog	Supports hardware reset (level 256, 0-255 seconds)	
Temperature	Operating: 0°C-50°C; Storage: -20°C-70°C	
Humidity	Operating: 20%-70%; Storage: 10%-80%	
Shock	5—19Hz/1.0mm amplitude,19-200Hz/1.0g acceleration	
Protection grade	The front panel IP65 is dustproof and waterproof	
Drop Ball Test	The 200g ball does not broken when it falls from 0.8 meters	
MTBF	30000 hours	
Power Supply	DC:12V5A(2pin,Pheonix terminal)	
VESA Mounting	75*75(mm),100*100(mm)	
Support OS	Windows10/Windows11/Linux (The product comes with no OS)	
What's in the Box	1*Power cable, 1*Power Adapter	
Agency Approvals	FCC; CE; ROHS	

TDS1030E-PCAP



Dimensions are in mm

