

TDS1230 PCAP

Industrial touch all-in-one

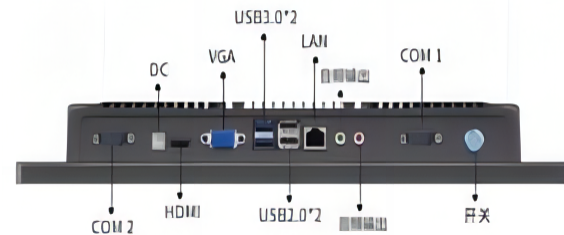


Features:

- + Flat front bezel, Aluminum material Shell
- + Fanless design, IP54 dustproof and waterproof
- + Industrial grade LCD, LED backlight
- + Resolution 1024X768@60Hz
- + 10-touch projection capacitive touchscreen
- + Low power industrial grade motherboard
- + Intel Celeron® J1900 high-performance processor
 - Option: Intel 9th generation J4125 processor
- + DC anti-falling phoenix connection terminal, stable and reliable
- + Various connection modes: wired network, Wireless Wi-Fi, Bluetooth
- + Supports wall-mounting, column mounting, floor-standing bracket
- + Support OS: windows 10/11/Linux/Ubuntu
- + 2-year warranty



2*Gigabit Ethernet Adapter



Optional:

- No touchscreen
- AG coating
- I3/i5 processor
- Card reader
- Interface customized
- Brightness customized



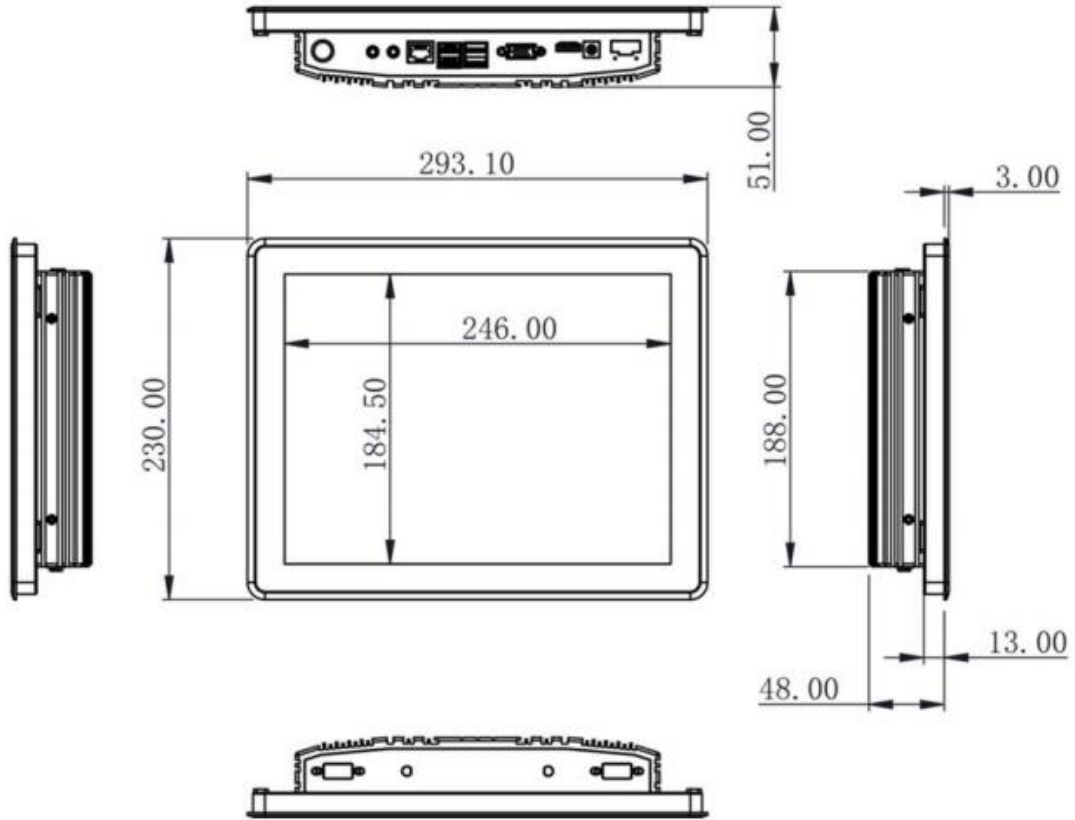
Available models and sizes

Model	Size	Ratio	Resolution	CPU
1030	10.4	4:3	1024X768	J1900/J4215
1230	12.1	4:3	1024X768	J1900/J4215
1530	15	4:3	1024X768	J1900/J4215

TDS1230 Industrial touch all-in-one Specification

Model	1230	
Color	Dark gray/silver	
Diagonal	12.1”	
Aspect Ratio	4:3	
Active Area	246X184.5(mm)	
Dimensions	293.1X230X51(mm)	
Native Resolution	1024X768@60Hz	
Number of Colors	262K , 72% NTSC	
Viewing Angle	Horizontal:80°/80°;Vertical:80°/80°	
Aspect Ratio	800:1	
Brightness	LED: 350nits, Touch:315nits	
LED Response	16ms	
Touch technology	Projected capacitive touch screen -10 points	
Glass thickness	1.1mm,tempered anti-riot treatment	
Touch mode	Fingers/silicone gloves/capacitive stylus	
Touch the accuracy	≥2mm	
Touch Interface	USB2.0	
Processor	Intel® Celeron®J1900 (2MB Cache,up to 2.42 GHz)	IntelCeleron®J4125 (4MB Cache,up to 2.7GHz)
BIOS	AMI	
Graphics	Intel®HD Graphics	
Memory	DDR3L-4GB	DDR4L-8GB
Storage	SSD 64GB	SSD 128GB
LAN	2*Gigabit LAN(intel i22 AT)	2*2.5G LAN(intel i225/i226)
Wireless	802.11 a/b/g/n/ac 2.4GHz/5GHz	802.11 a/b/g/n/ac/ax 2.4GHz/5GHz/6GHz
Bluetooth	Bluetooth 4.1	Bluetooth 5.2
Input voltage	AC: 100-240 VAC , 50-60 Hz	
I/O Interface	2*USB2.0 2*USB3.0 2*COM, 2*RJ45 LAN Port,1*HDMI,1*VGA 1* Audio Port (3.5 mm headset jack), 1* 12V DC , 1*Power ON/OFF	
Watchdog	Supports hardware reset (level 256, 0-255 seconds)	
Temperature	Operating: 0°C-50°C; Storage: -20°C-70°C	
Humidity	Operating: 20%-70%; Storage: 10%-80%	
Shock	5—19Hz/1.0mm amplitude,19-200Hz/1.0g acceleration	
Protection grade	The front panel IP65 is dustproof and waterproof	
Drop Ball Test	The 200g ball does not broken when it falls from 0.8 meters	
MTBF	50000 hours	
Power Supply	DC:12V5A(2Pin,phoenix terminal)	
VESA Mounting	75*75(mm),100*100(mm)	
Support OS	Windows10/Windows11/Linux (The product comes with no OS)	
What's in the Box	1*Power cable, 1*Power Adapter	
Agency Approvals	FCC; CE; ROHS	

TDS1230-PCAP



Dimensions are in mm

