

1237B 4:3 PCAP

Embedded touchscreen monitor



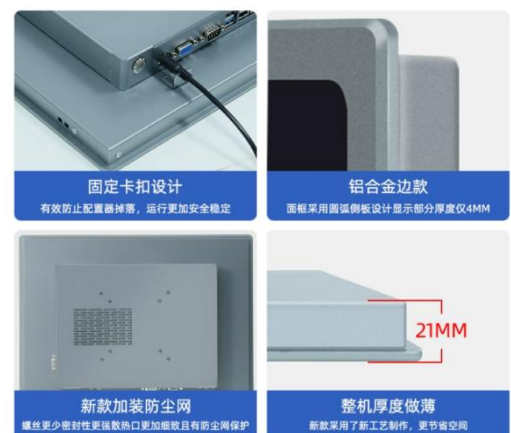
Feature

- + Aluminum flat all aluminum front frame
- + Front assembly method, easy to integrate
- + Industrial grade LCD, LED backlight
- + Native resolution 1024X768@60Hz
- + 10-point projected capacitive touchscreen
- + 3MM tempered glass, surface AG coating
- + Ultra-Fast response speed and high precision
- + Anti-riot, anti-vibration, anti-static
- + There are fixing holes on the back and sides
- + Video interface: HDMI+VGA
- + Support OS: Windows/Android/Linux
- + 2-Year warranty



Optional:

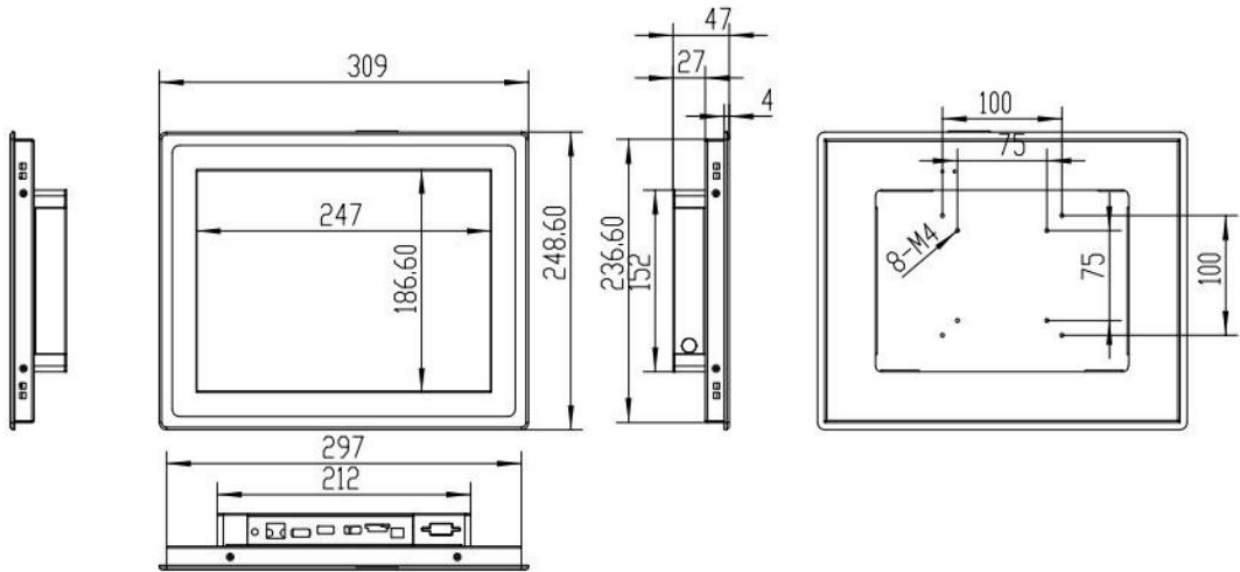
- Five-wire resistive touchscreen(5W)
- ALL-IN-ONE (X86 motherboard)



TDS1237B Embedded touchscreen monitor

Model	1237B
Shell material	Front frame: aluminum Back: cold rolled steel
Color	Silver
Size	12.1''
Ratio	4:3
Native Resolution	1024X768DPI@60Hz
Active Area	247X186.6(mm)
Front opening size	297X236.6(mm)
Dimensions	309X248.6X56(mm)
Color	262K
Viewing Angle	70° /70°/70°/70°
Brightness	LCD: 300mcd PCAP Touchscreen: 265mcd
Contrast	1000:1
The Response Time	5ms
Touch Technology	Projection Capacitor -10 Points
The Surface Hardness	6H
Light Transmittance	85%+5%
Control Card Interface	USB 2.0
Response Speed	12ms
Click life	50 million times
Video Interface	HDMI+VGA
The Input Voltage	AC: 100-240 VAC,50/60 Hz
Power Adapter	DC12V /3A (DC Port 5.5*2.1)
Resistance to static pressure	5kg/cm2
Anti-vibration	50--500Hz, 1.5G, 0.15mm peak
Sealability	Touchscreen sealed to bezel
Riot proof	450g steel ball drops vertically from 1 meter without breaking.
MTBF(backlight)	50000 Hours
The Work Environment	Temperature: 0 °C To 50 °C; Humidity: 20% To 80%
Storage Environment	Temperature: -10 °C To 70 °C; Humidity: 10% To 90%
Mounting options	1. Side Embedded Buckle mounting : 18*15.5mm 2.Back VESA Mounting: 75*75 And 100*100 (mm)
Warranty	2- Year
Certification	FCC; CE; ROHS; CCC
Accessories	1*HDMI Cable, 1*USB Cable,1*Power Cable, 4*M4Embedded buckle

TDS1237B-PCAP



Dimension in millimeter

