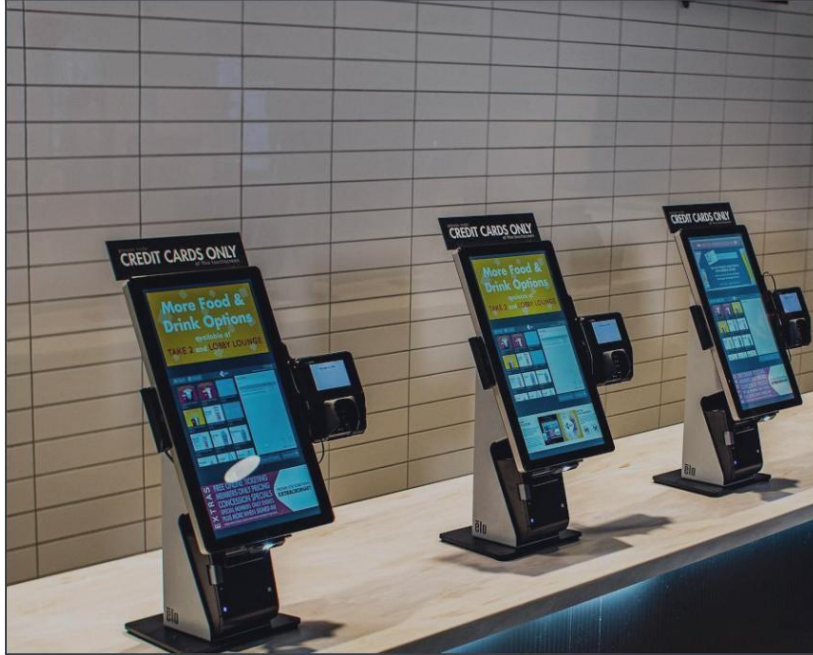


2102C 16:9 PCAP

Desktop Touchscreen Monitor



Features

- + Flat appearance design
- + Metal shell, ultra-thin shape
- + Commercial grade LCD, LED backlight
- + Resolution 1920X1080FHD@60Hz
- + Widescreen full viewing Angle
- + Supports vertical and horizontal screen
- + 10 point projective capacitive touch scree
- + Cover plate anti riot and anti fingerprint
- + Video interface: HDMI+VGA
- + Stable base with adjustable angle
- + Back VESA wall hanging hole
- + Support OS: Windows/Android/Linux
- + 2 Year Warranty

Optional:

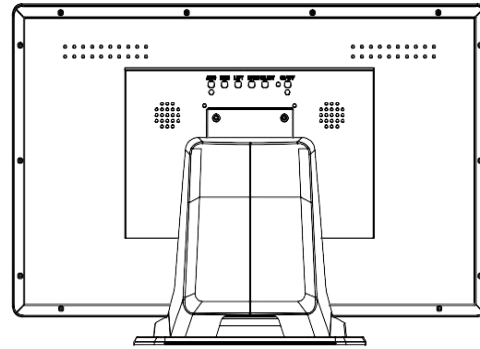
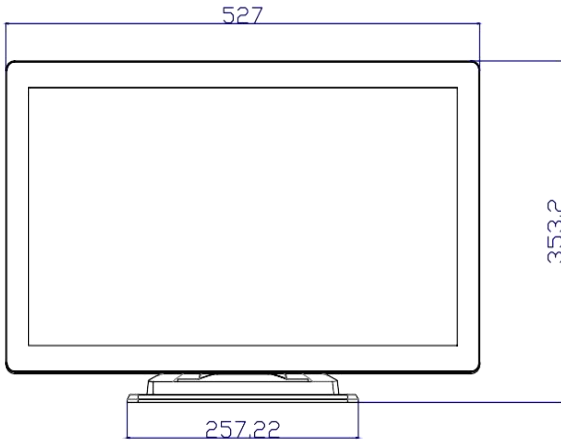
- No Touch
- Private Filter
- AG Coating
- Video interface: Display Port
- All-in-one (Windows/Android)



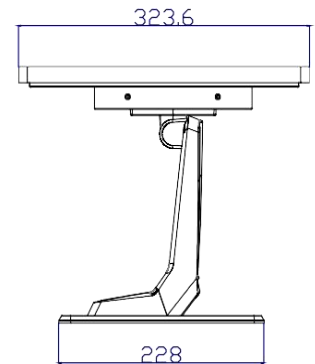
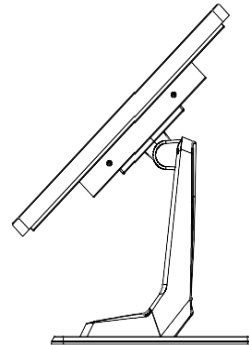
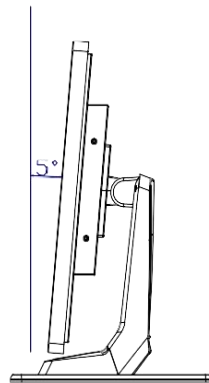
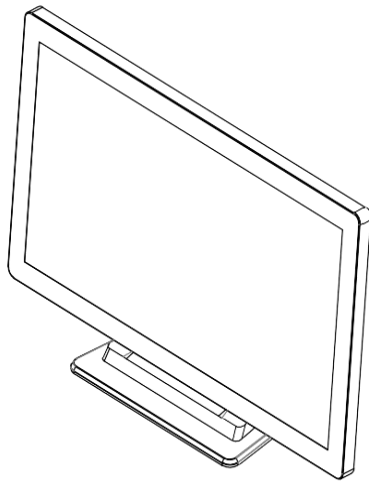
TDS2102C Desktop Touchscreen Monitor Specification

Model	2102C
Diagonal	21.5"
Color	Black/Sliver
Aspect Ratio	16:9
Active Area	476.64X268.11(mm)
Dimensions	527X353.2X40(mm)
Resolution	1920X1080 FHD@60Hz
Viewing Angle	Horizontal: 89° /89°;Vertical: 89° /89°
Brightness	LCD Panel: 300nits;PCAP Touch: 275 nits
Number of Colors	16.7M
Contrast Ratio	1000:1
Response Time	14ms
Touch technology	PCAP (TouchPro® Projected Capacitive) -10 touch
Input method	Finger, Capacitance pen(Standard) Latex gloves touch (pre commissioning required)
Transmittance	≥90%
Surface hardness	7H(Mohs)
Touch interface	USB 2.0
Video Interface	HDMI+VGA
Speaker	TwoX2W internal speakers
Input Voltage	AC:100-240VAC, 50/60Hz
Sealability	Touchscreen sealed to bezel
Drop Test	The 1kg ball does not break when it falls from 1.2 meters
Weight (Unpackage)	5.5KG
Shipping Dimensions	600X395X175(mm)
Operating Temperature	0°C-40°C;
Storage Temperature	-20°C-60°C
Humidity	Operating: 20%-70%;Storage: 10%-80%
MTBF	30,000 hours
Mounting Options	VESA:75X75(mm),100X100(mm)
BASE	Adjusting angle: 0°C-90°C(Optional)
Power Supply	12V3A
Warranty	2-years
Agency Approvals	FCC; CE; RoHS
Support OS	Windows/Linux\Android
What's in theBox	1*USB cable,1*HDMI cable,1*DC cable

2102C-PCAP



Base Angle adjustable



Dimensions are in millimeters

