

TDS2439L 16:9 (Light bar)

Open Frame Touchscreen



Features

- + Metal shell, open frame design
- + Flat and zero bezel appearance
- + Commercial grade LCD, LED backlight
- + Resolution 1920X1080FHD@60Hz
- + 10-point projection capacitive touchscreen
- + There are colored light bars all around
- + Optional single and multi-color light bars
- + COB light bar with soft and even lighting
- + Support OSD key and serial port control mode
- + Various marquee modes, Colors and speed can be adjusted
- + Video interface: HDMI+VGA
- + Multiple assembly holes on the side and back
- + Support OS: Windows/Android/Linux
- + 2-year Warranty



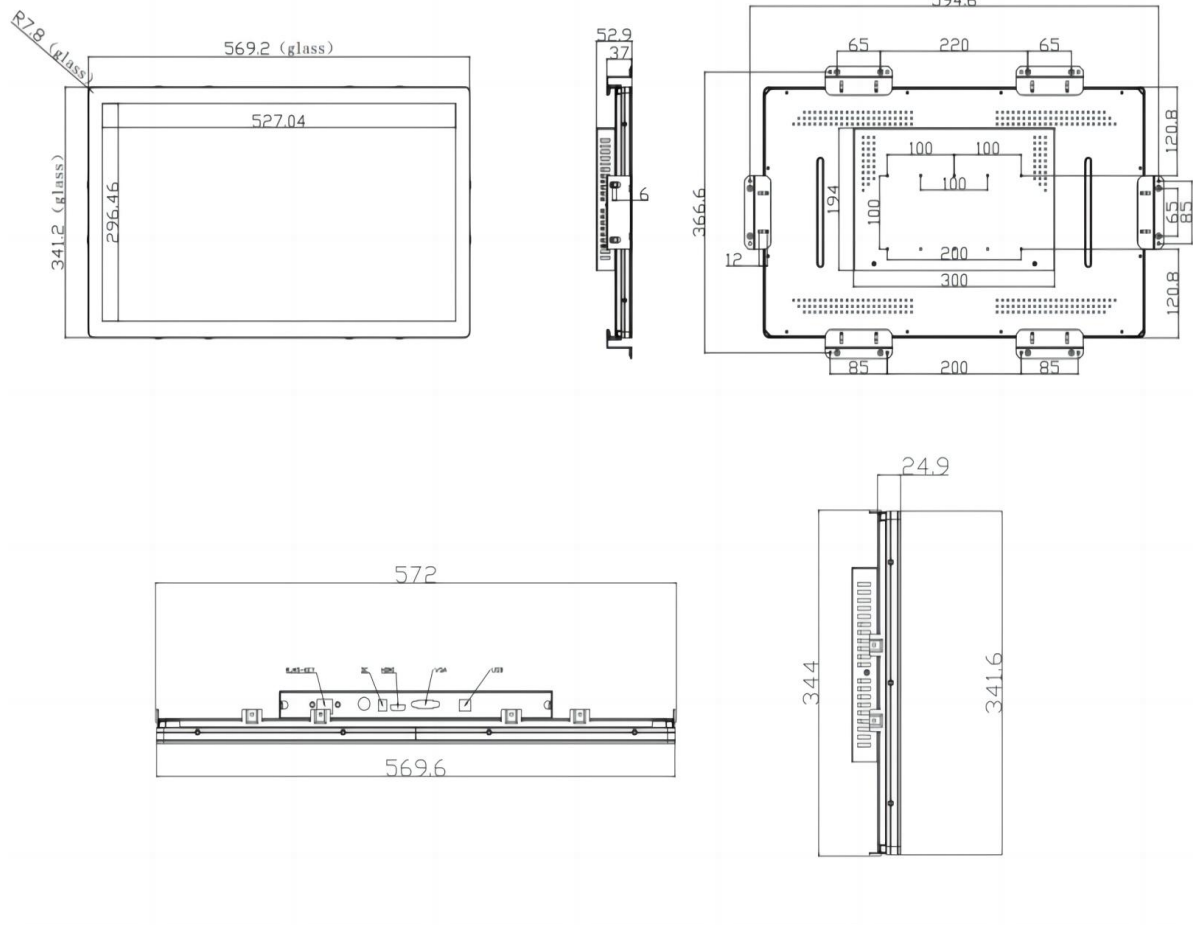
Optional:

- No Touch
- AG Coating
- Video interface: Display Port
- All-in-one(Built in motherboard)



TDS2439L Open-Frame Touchscreen Specifications(light bar)	
Model	2439L
Color	Black/Silver
Diagonal	23.8"
Active area	527.04X296.46(mm)
Dimensions	569.6X341.6X49.9 (mm)
Resolution	1920X1080FHD8@60Hz
Viewing Angle	Horizontal: 89°/89°,Vertical: 89° /89°
Number of Colors	16.7M
Brightness	LCD Panel: 300nits,PCAP: 275nits
Contrast Ratio	3000:1
Touch Technology	PCAP (Projected Capacitive) - 10 Touch
Surface hardness	7H(Mohs)
Light bar	Lighting mode: Standard:monochrome (Pink/Red/Yellow/Green/Orange /Ice Blue/ Blue/ White/) Optional:Multi-color(7 color rotation variations/Full color RGB rotation variation)
	Control mode : Standard:external control(OSD Key) Optional:Serial port control (Provides serial port communication protocol) Note:Both methods can be used at the same time, but serial port calls take priority.
	Width:3mm Lighting angle: 180° Working voltage: 5V Waterproof level: IP20
Speaker	2*2W(Optional)
I/O Interface	1*USB 2.0, 1*HDMI, 1*VGA, 1*DC , 1*COM (for light)
Input Voltage	AC:100-240 VAC, 50/60 Hz
Sealability	Touchscreen sealed to bezel
Mounting Options	Back VESA two groups of holes : 75mm&100mm Four sides has a set of fixing holes : 2&60mm
Drop Test	450g steel ball falls from 1.2m without breaking
Weight (Unpackage)	9KG
Shipping Dimensions	720X450X160(mm)
Temperature	Operating: 0 °C to 40°C; Storage : -20°C to 60°C
Humidity	Operating: 20% to 70% ; Storage: 10% to 80%
MTBF	30,000 Hours
Power Supply	DC:12V6A
What' s in the Box	1*USB cable,1*HDMI cable,1*DC cable,1*RJ45 OSD(Standard) L" (Side Mount) Brackets and w/Screws(Options)
Agency Approvals	FCC; CE; ROHS

TDS2439L-PCAP



Dimensions are in millimeters

